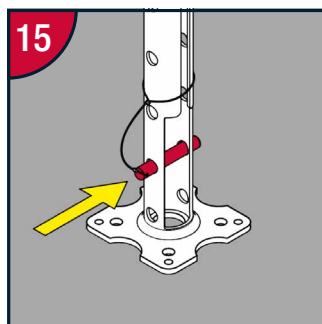
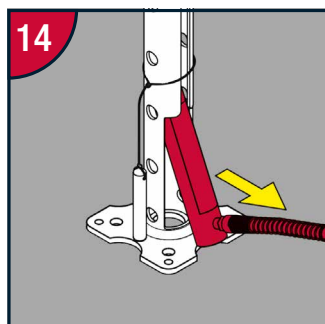
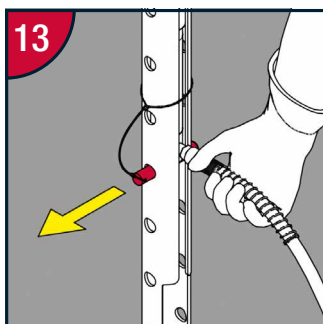
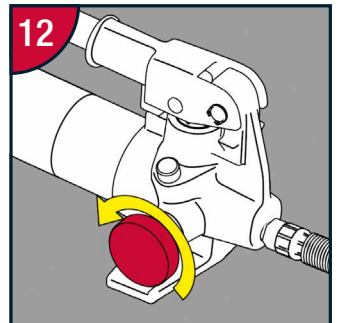
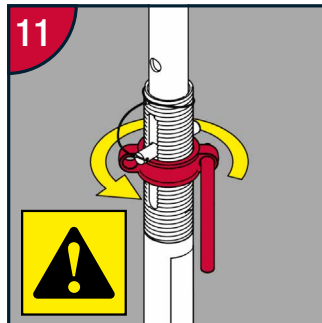
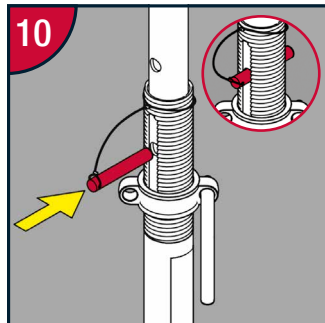
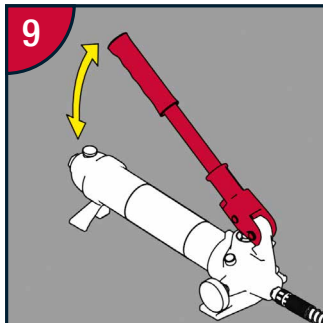
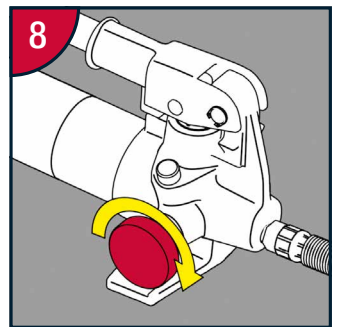
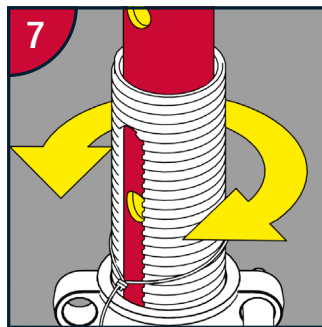
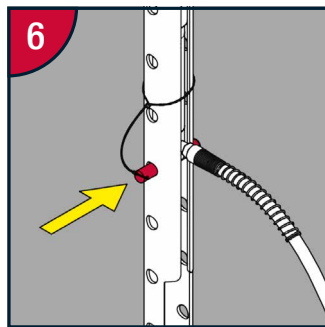
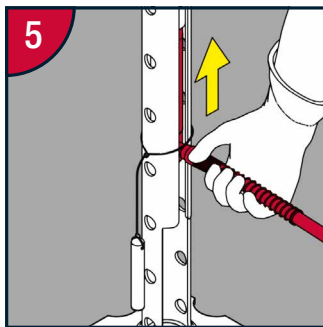
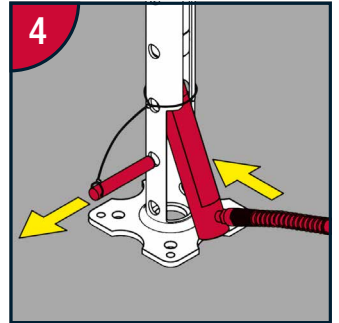
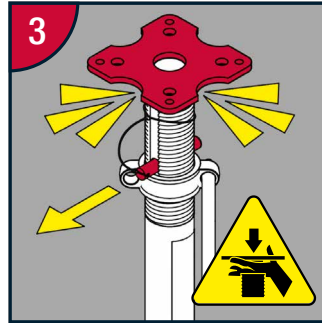
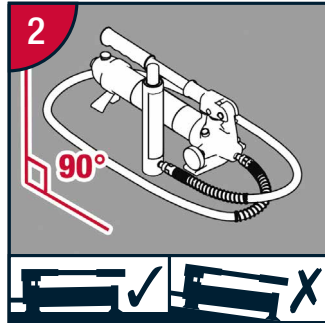
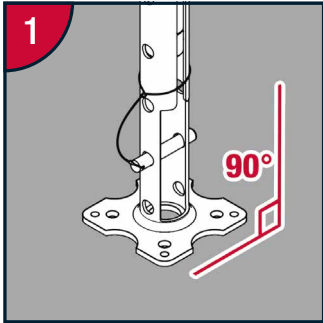


QUICK START GUIDE

FOR OPERATION WITH UNI-PROP TEMPORARY SUPPORT



! AS SOON AS THE HYDRAULIC OPERATION HAS BEEN COMPLETED, THE MECHANICAL COLLAR AND PIN FUNCTION MUST BE ENGAGED IMMEDIATELY TO AVOID THE POTENTIAL FOR ACCIDENT/DAMAGE.

QUICK START GUIDE

FOR OPERATION WITH UNI-PROP TEMPORARY SUPPORT

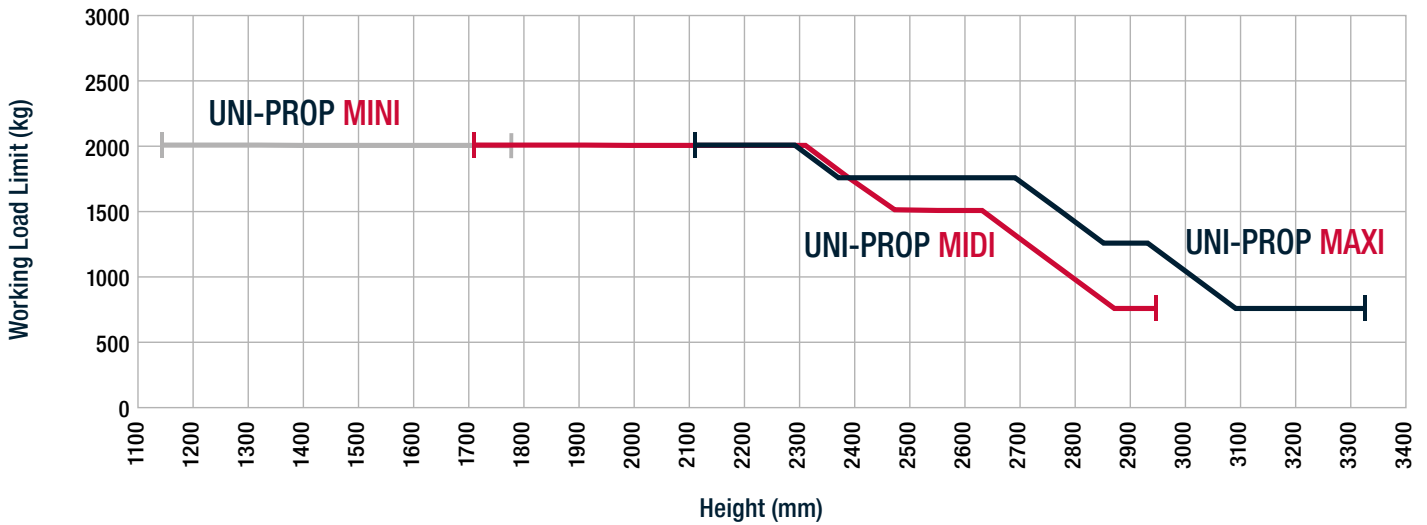
COMPREHENSIVE USER INSTRUCTIONS AVAILABLE AT UNI-PROP.COM



MULTIFUNCTIONAL TEMPORARY SUPPORT

SAFE WORKING LOADS HYDRAULIC OPERATION

LOADED CONCENTRICALLY AND 1° MAX OUT OF PLUMB



NEVER EXCEED SAFE WORKING LOADS

- i) Safe Working Loads have been derived from load testing to BS EN 1065.
- ii) Mechanical Safe Working Loads are calculated to a minimum Factor of Safety of 2 to 1 on test results.
- iii) Convert kg to kN: 10kg = 0.09807kN. e.g. 100kg = 0.9807kN, 1000kg = 9.807kN, 5000kg = 49.04kN.

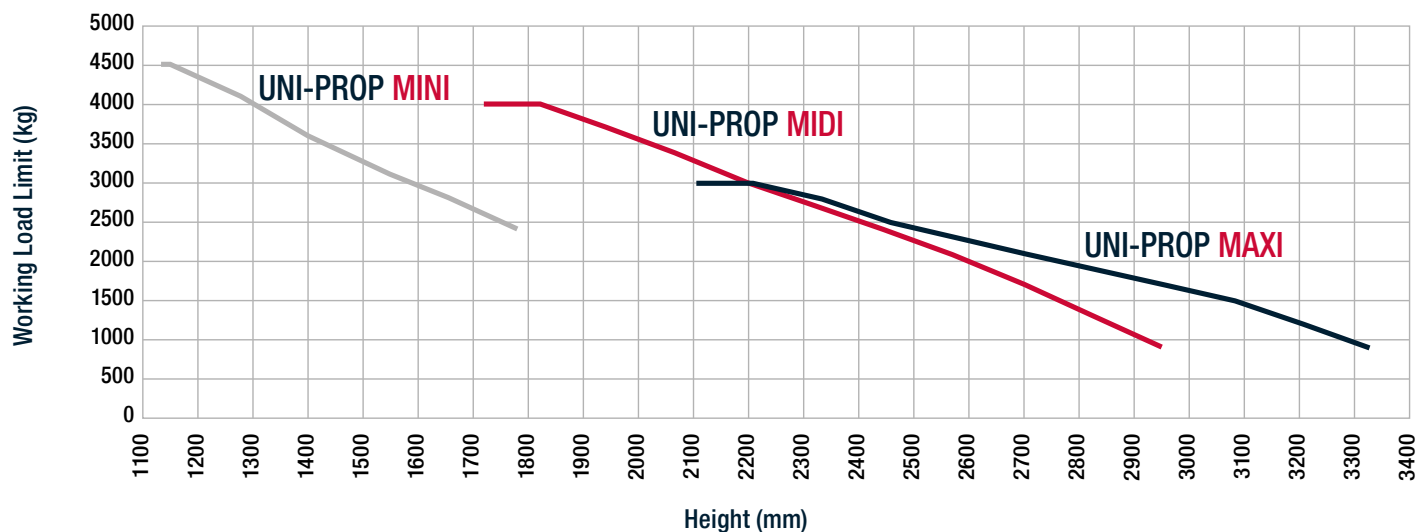
COMPREHENSIVE USER INSTRUCTIONS AVAILABLE AT UNI-PROP.COM



MULTIFUNCTIONAL TEMPORARY SUPPORT

SAFE WORKING LOADS MECHANICAL OPERATION

LOADED CONCENTRICALLY AND 1° MAX OUT OF PLUMB



NEVER EXCEED SAFE WORKING LOADS

- i) Safe Working Loads have been derived from load testing to BS EN 1065.
- ii) Hydraulic Safe Working Loads are calculated to a minimum Factor of Safety of 2.5 to 1 on test results.
- iii) Convert kg to kN: 10kg = 0.09807kN. e.g. 100kg = 0.9807kN, 1000kg = 9.807kN, 5000kg = 49.04kN.

COMPREHENSIVE USER INSTRUCTIONS AVAILABLE AT UNI-PROP.COM