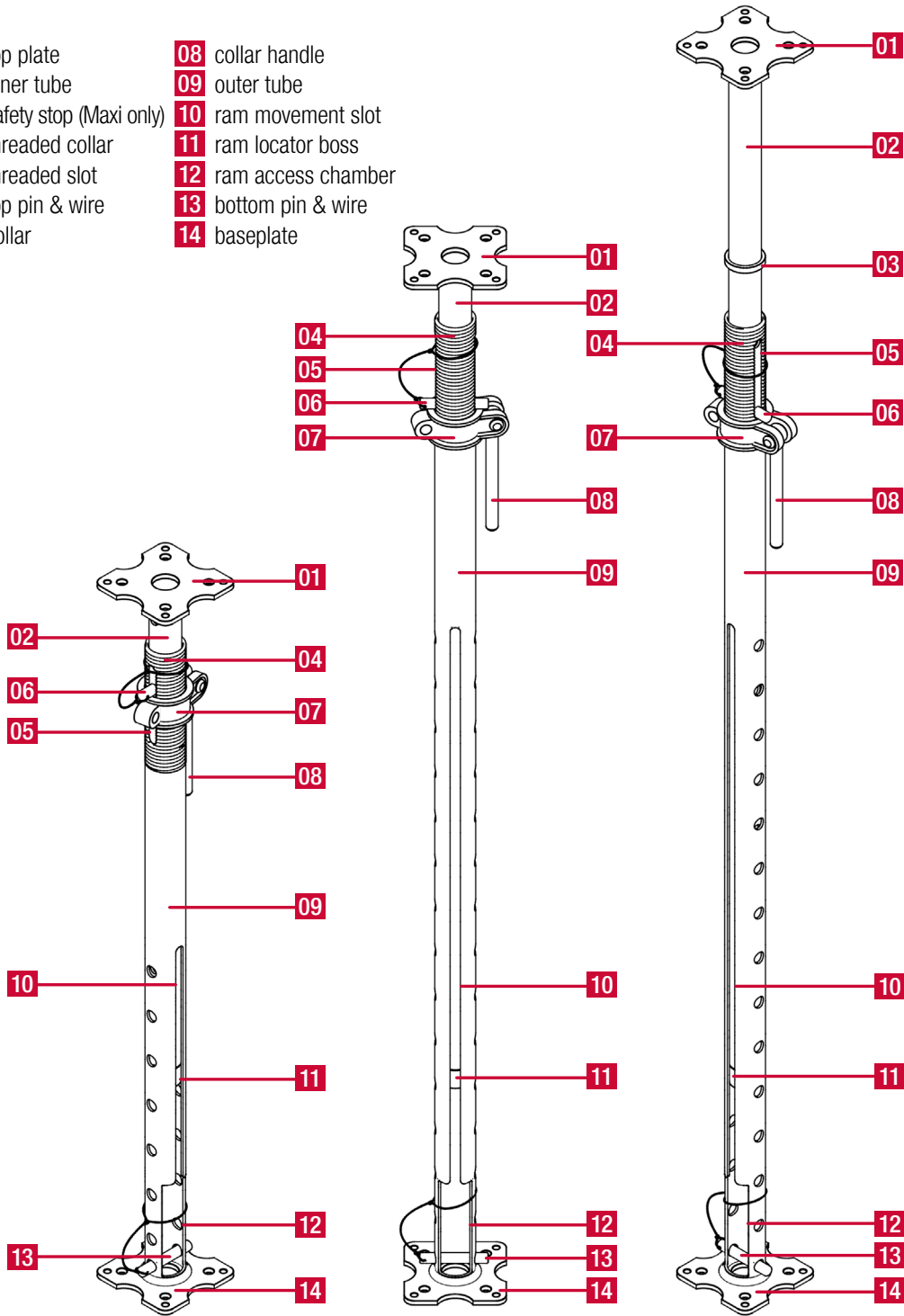




MULTIFUNCTIONAL TEMPORARY SUPPORT

UNI-PROP DIAGRAM

- | | |
|-----------------------------------|------------------------------|
| 01 top plate | 08 collar handle |
| 02 inner tube | 09 outer tube |
| 03 safety stop (Maxi only) | 10 ram movement slot |
| 04 threaded collar | 11 ram locator boss |
| 05 threaded slot | 12 ram access chamber |
| 06 top pin & wire | 13 bottom pin & wire |
| 07 collar | 14 baseplate |



UP-MINI-0-D1

UP-MIDI-1-D1

UP-MAXI-2-D1

For more information visit uni-prop.com or contact Uni-Prop on **0800 2545 456** or support@uni-prop.com

Uni-Prop International Ltd. 19 Holywells Road, Ipswich, IP3 0DL United Kingdom

Company Number: 10402933

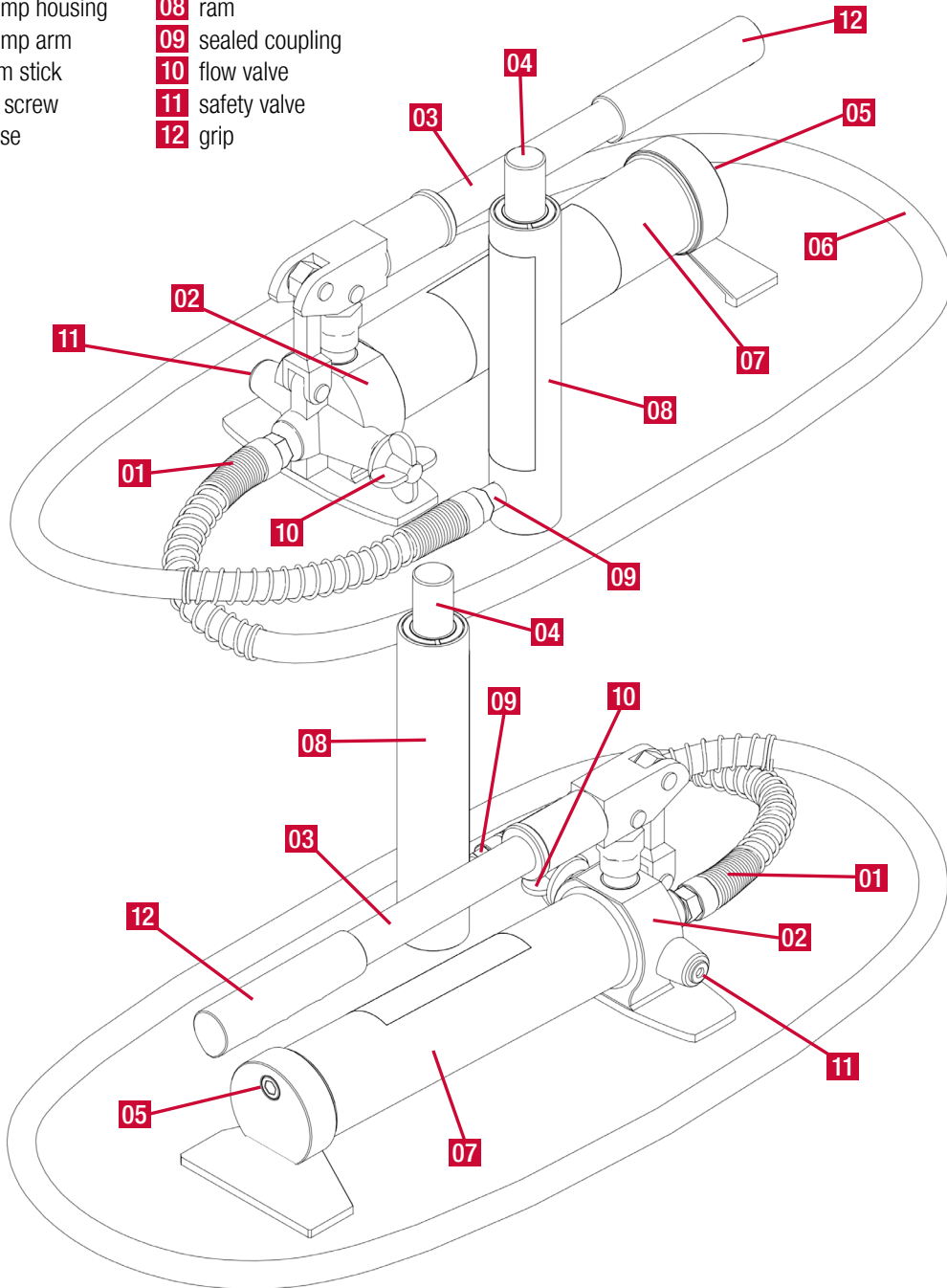
VAT Number: 191 390 207



MULTIFUNCTIONAL TEMPORARY SUPPORT

HYDRAULIC ASSEMBLY DIAGRAM

- | | | | |
|----|--------------|----|-----------------|
| 01 | hose spring | 07 | reservoir |
| 02 | pump housing | 08 | ram |
| 03 | pump arm | 09 | sealed coupling |
| 04 | ram stick | 10 | flow valve |
| 05 | fill screw | 11 | safety valve |
| 06 | hose | 12 | grip |



UPHA-17-A

For more information visit uni-prop.com or contact Uni-Prop on **0800 2545 456** or support@uni-prop.com

Uni-Prop International Ltd. 19 Holywells Road, Ipswich, IP3 0DL United Kingdom

Company Number: 10402933

VAT Number: 191 390 207